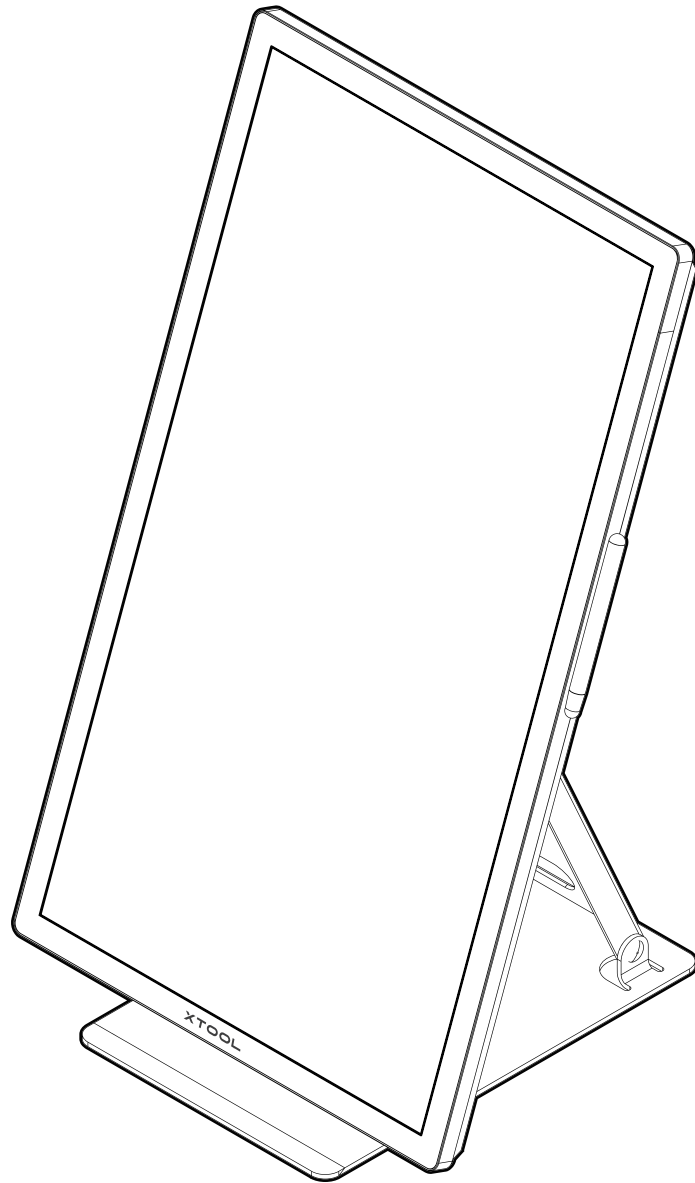


XTOOL

Self-Service Kiosk Desktop Standing



Quick Start Guide

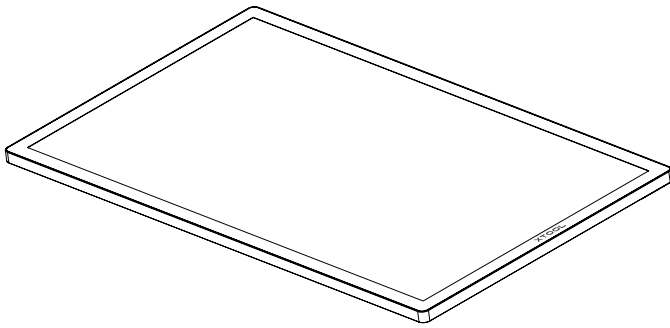
List of items - - - - - 01

Meet xTool Self-Service Kiosk Desktop Standing - - - 02

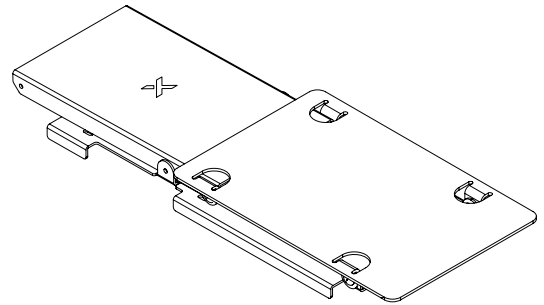
Install xTool Self-Service Kiosk Desktop Standing - - 04

Use xTool Self-Service Kiosk Desktop Standing - - - - 07

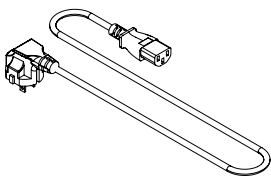
List of items



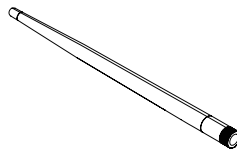
Self-service kiosk



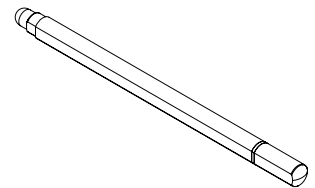
Monitor stand



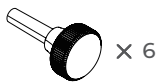
Power cable



Antenna



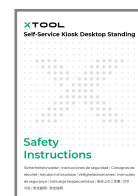
Stylus pen



Thumb screw



Quick start guide

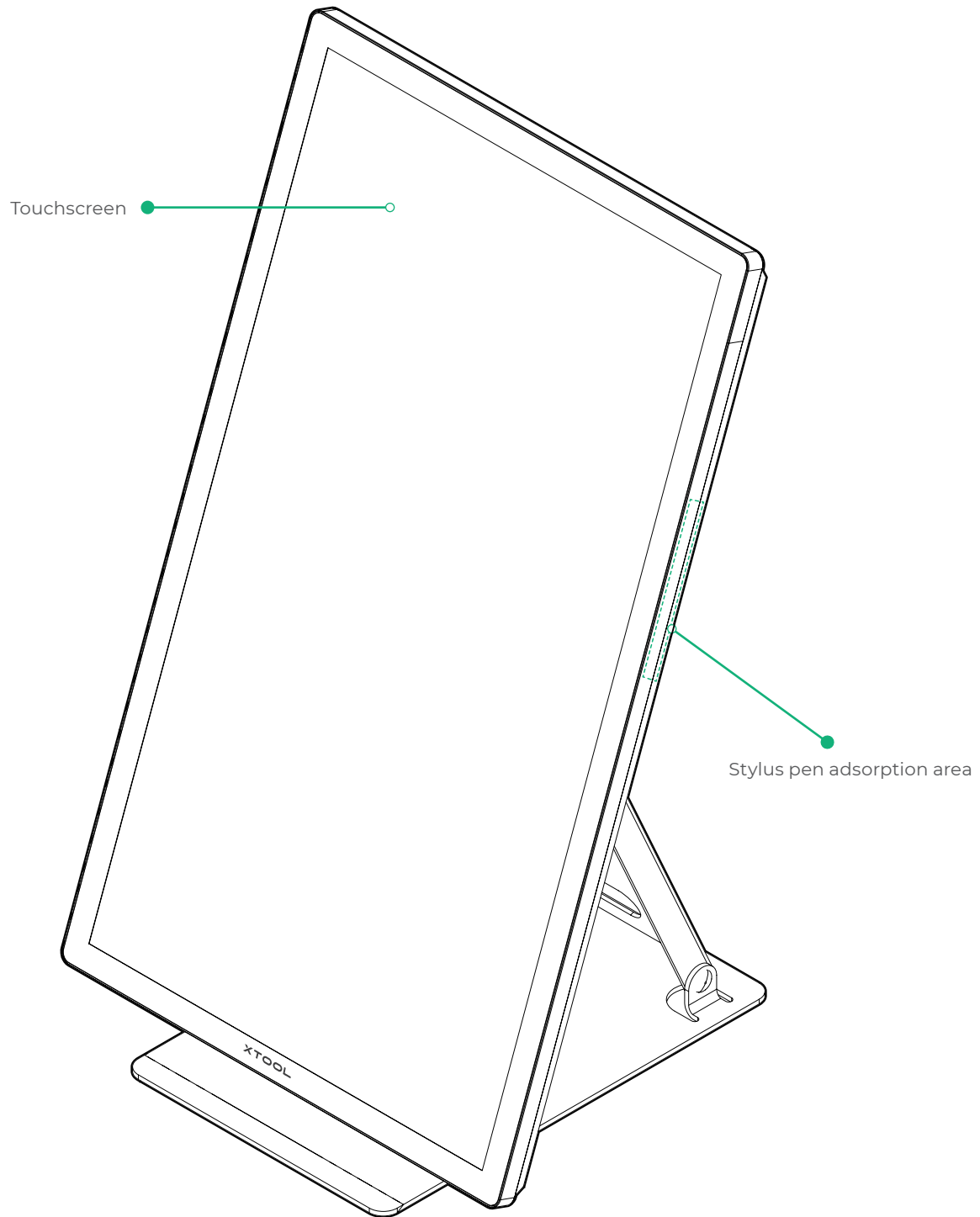


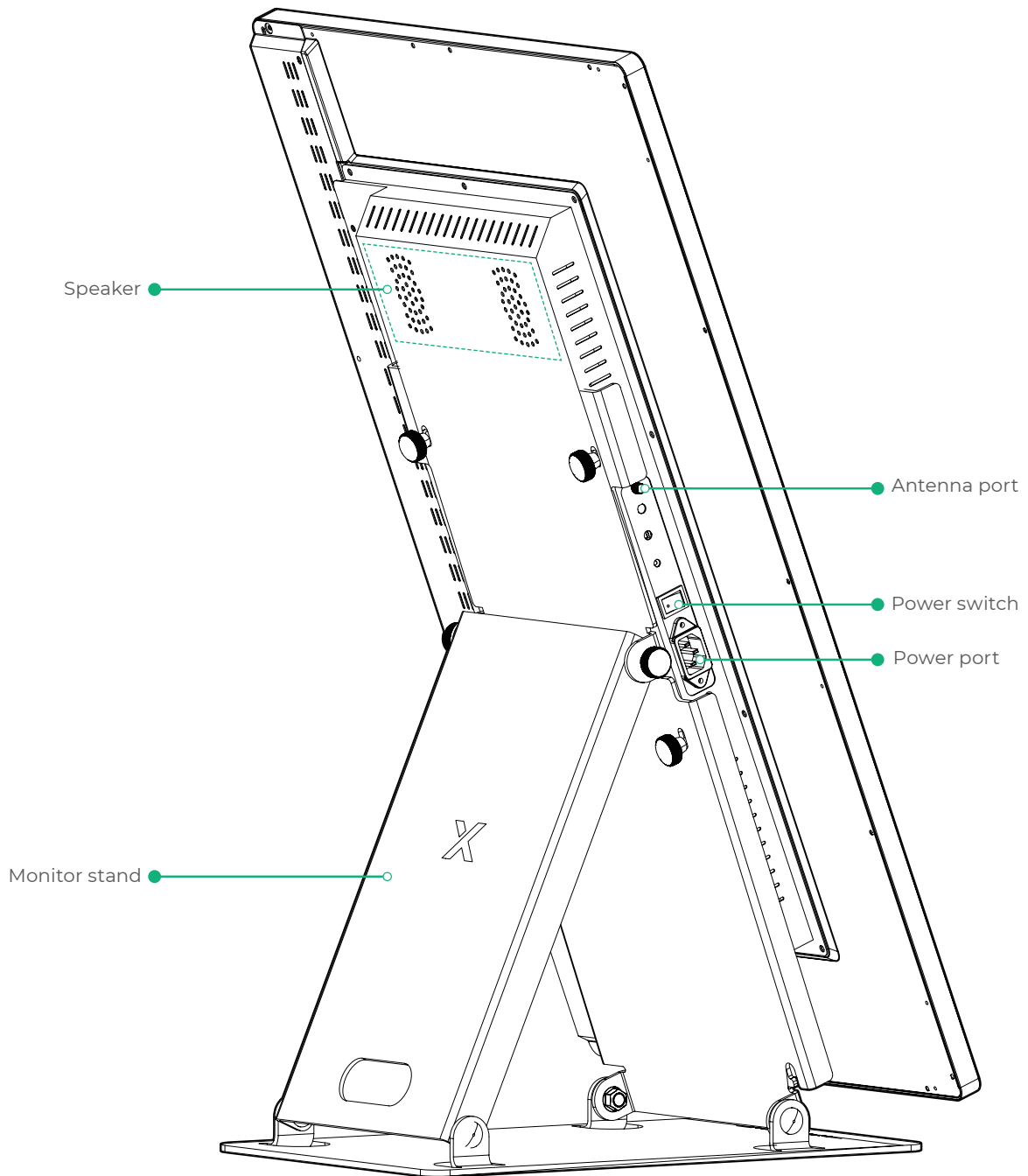
Safety instructions



The power cable varies according to the region in which the product is delivered.

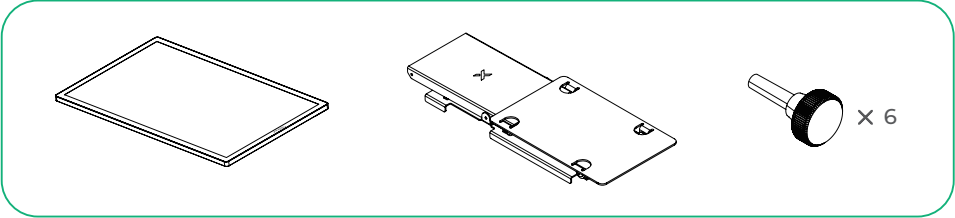
Meet xTool Self-Service Kiosk Desktop Standing



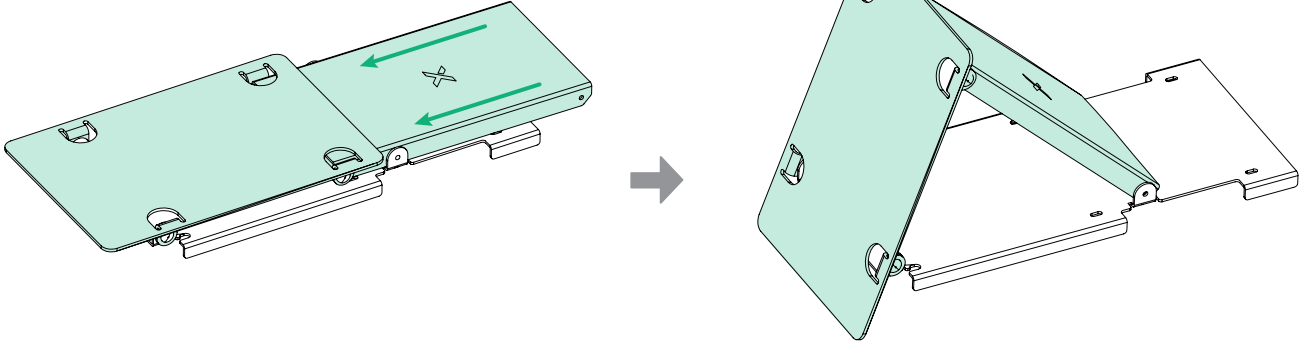


Install xTool Self-Service Kiosk Desktop Standing

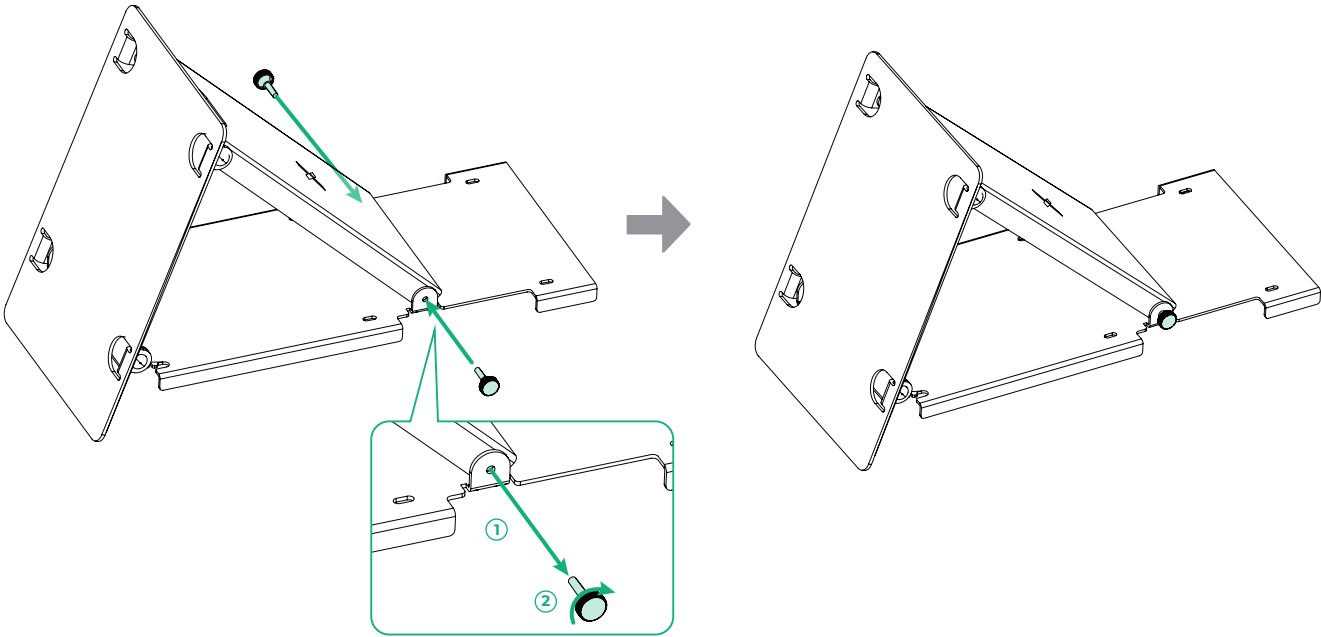
1 Install the monitor stand



1



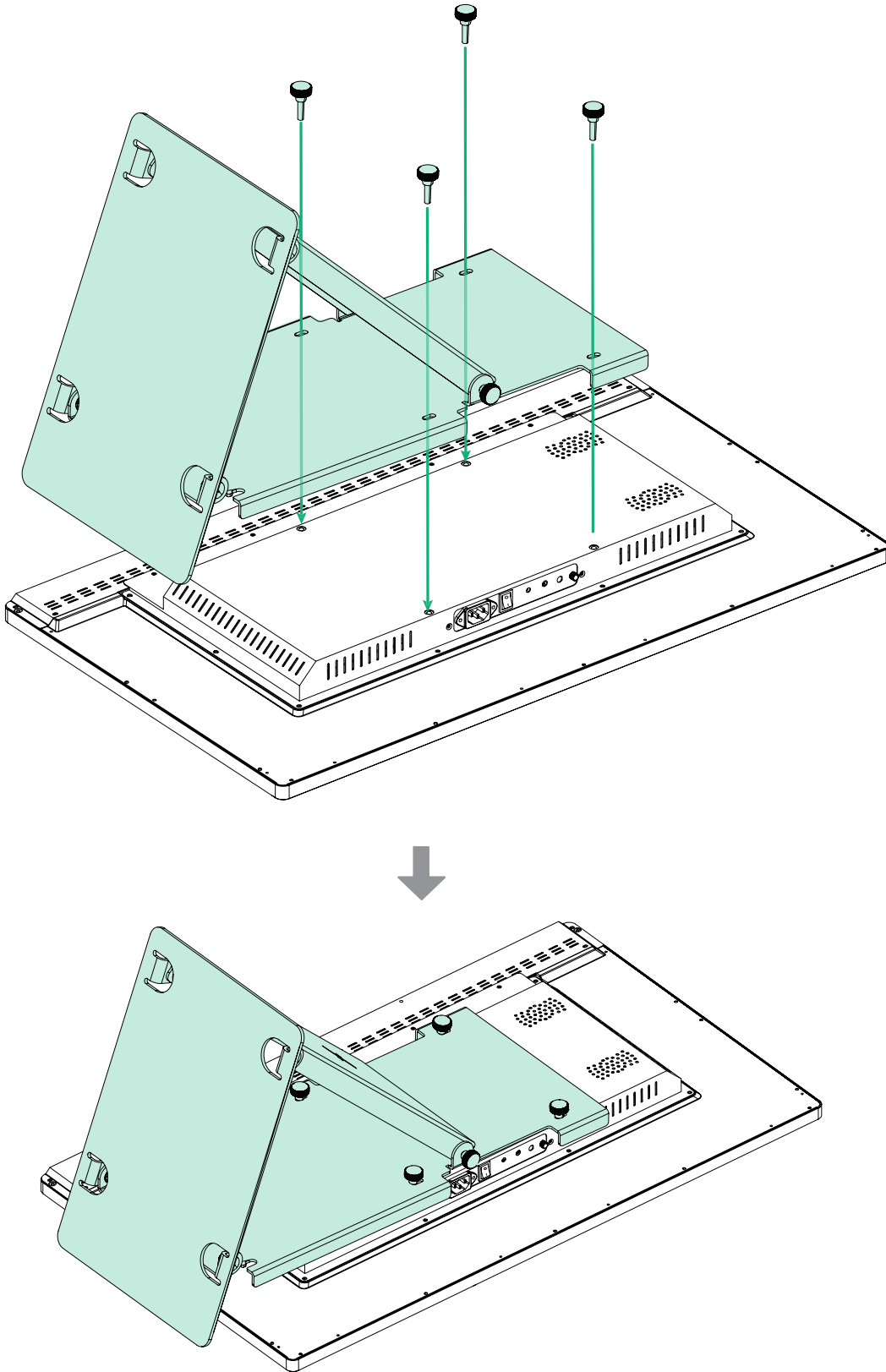
2



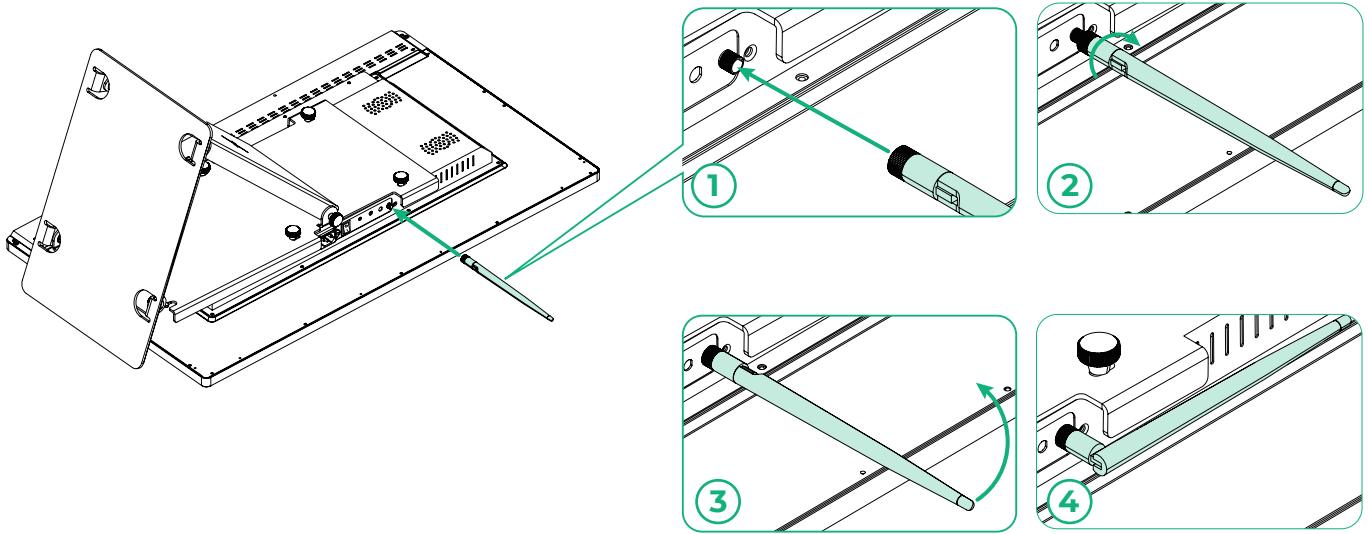
3



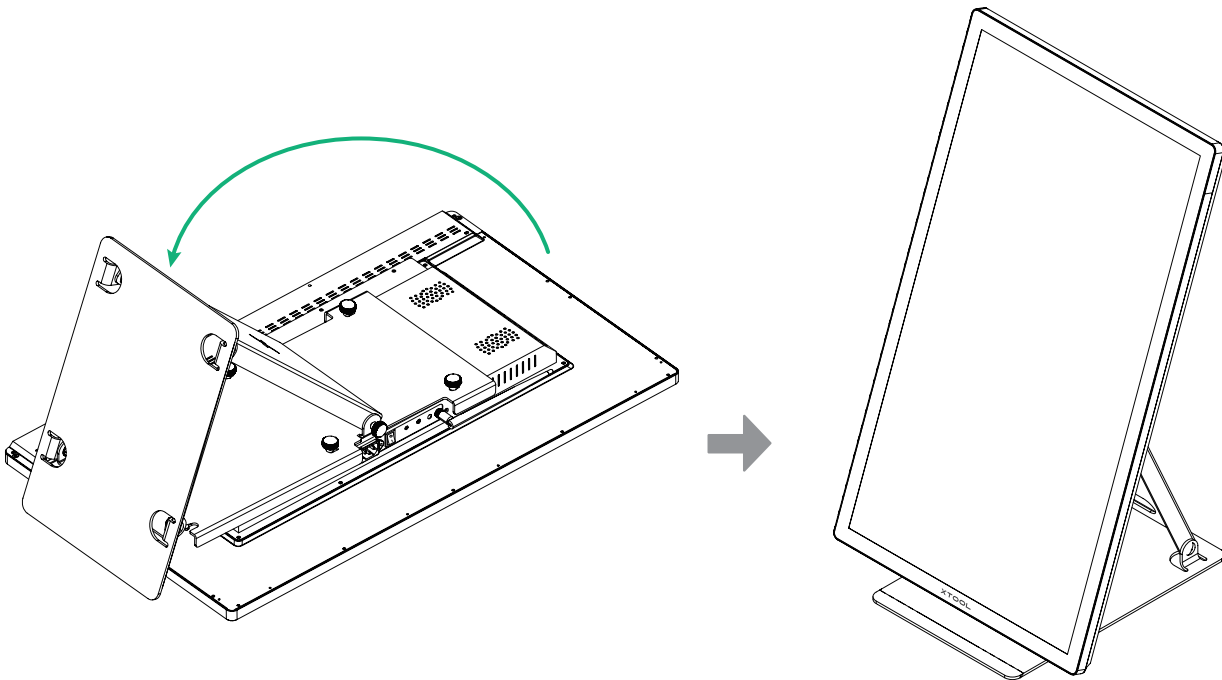
To avoid scratching or damaging the screen, ensure that the desktop is flat and free of foreign objects.



2 Install the antenna

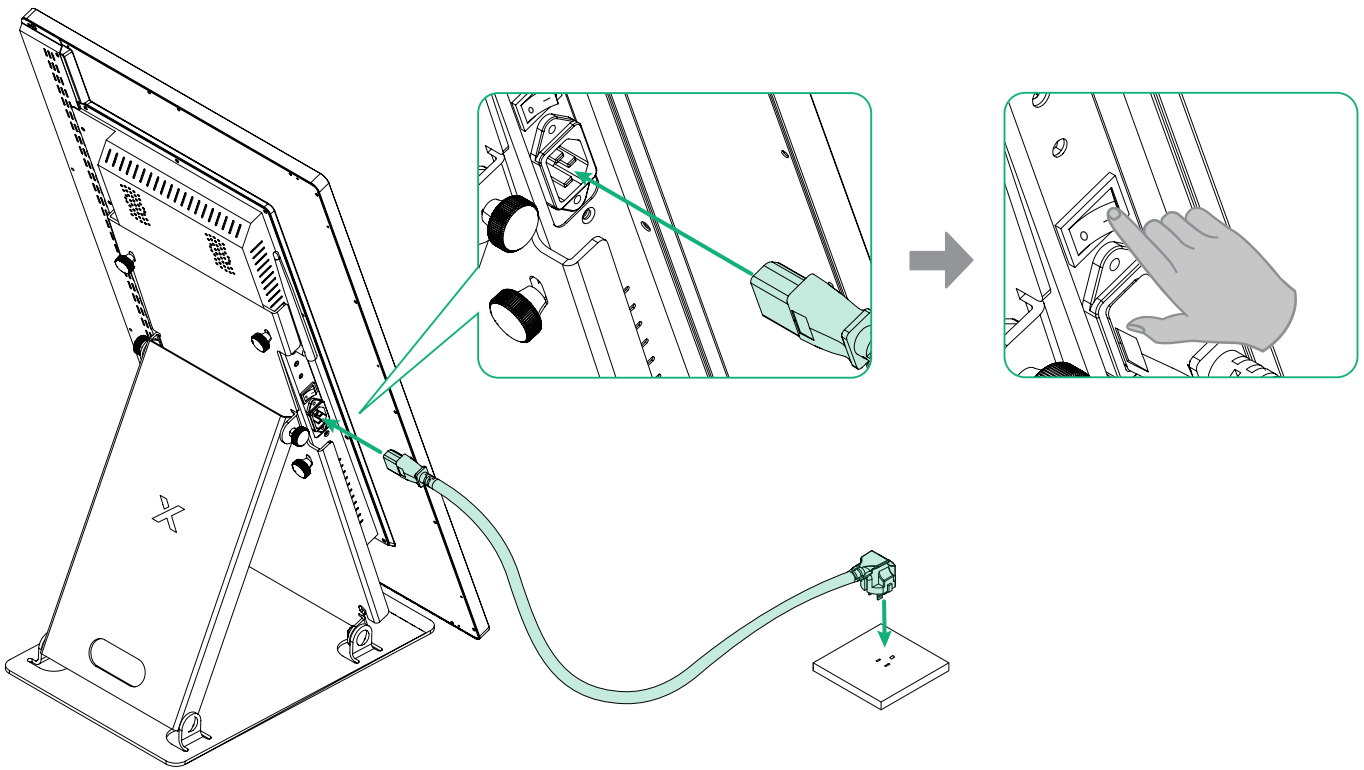
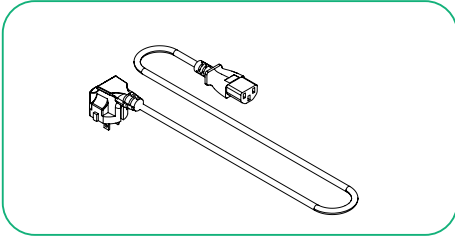


3 Complete the installation



Use xTool Self-Service Kiosk Desktop Standing

1 Insert the power cable and turn on the kiosk



2 Use the self-service kiosk desktop standing

Scan the QR code or visit the provided link to learn how to use this product with xTool machines for processing.



support.xtool.com/article/2086

XTOOL